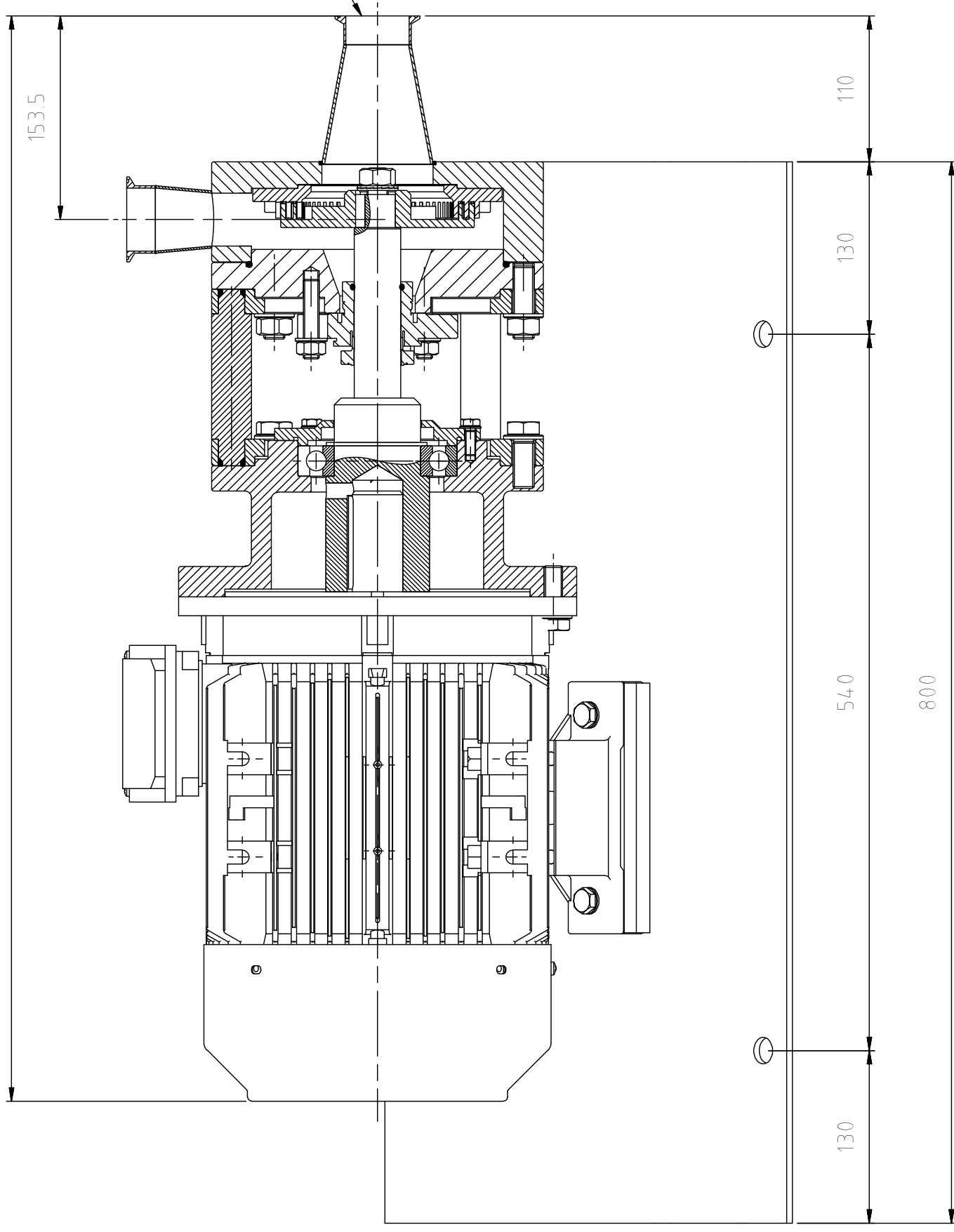
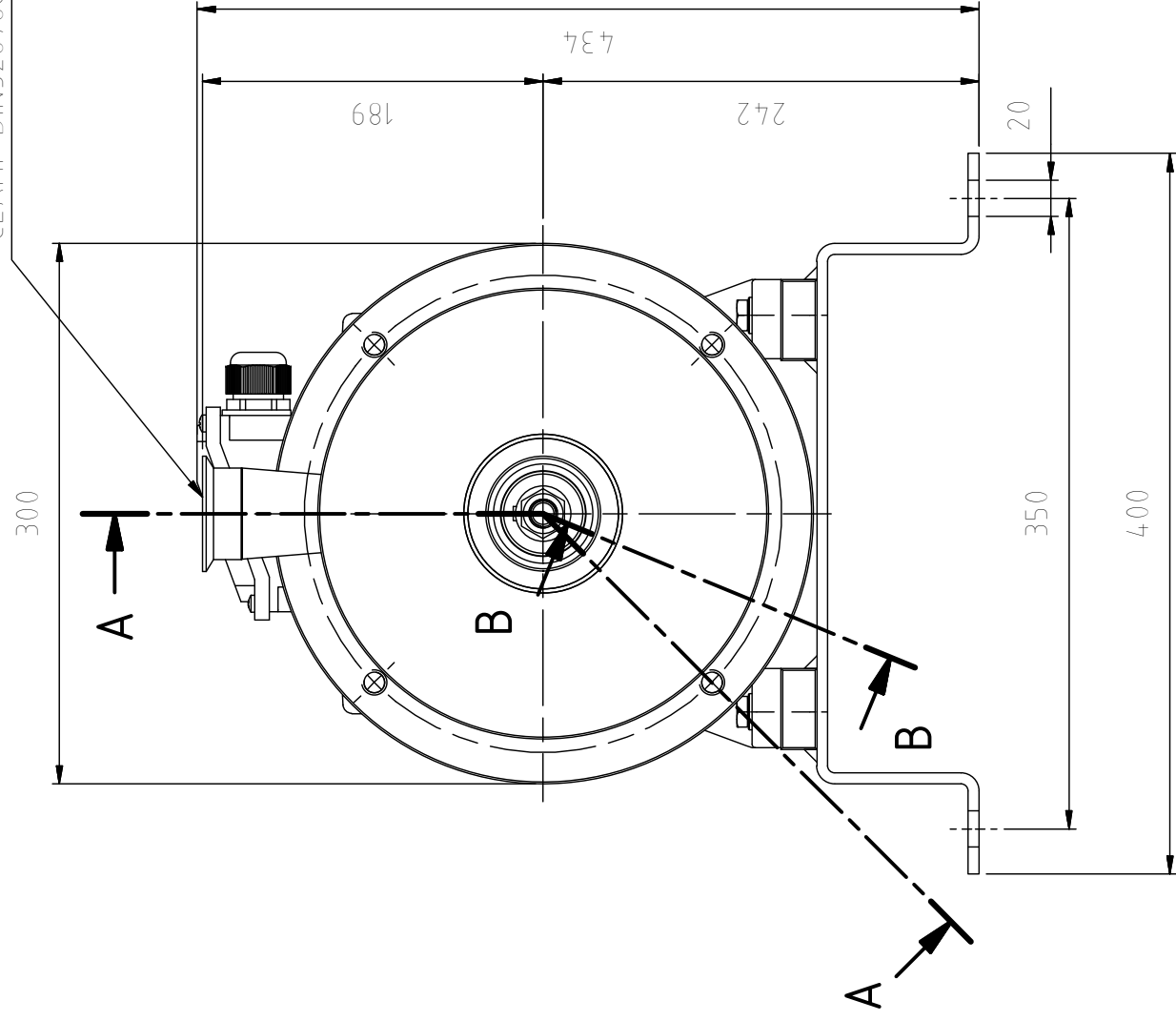


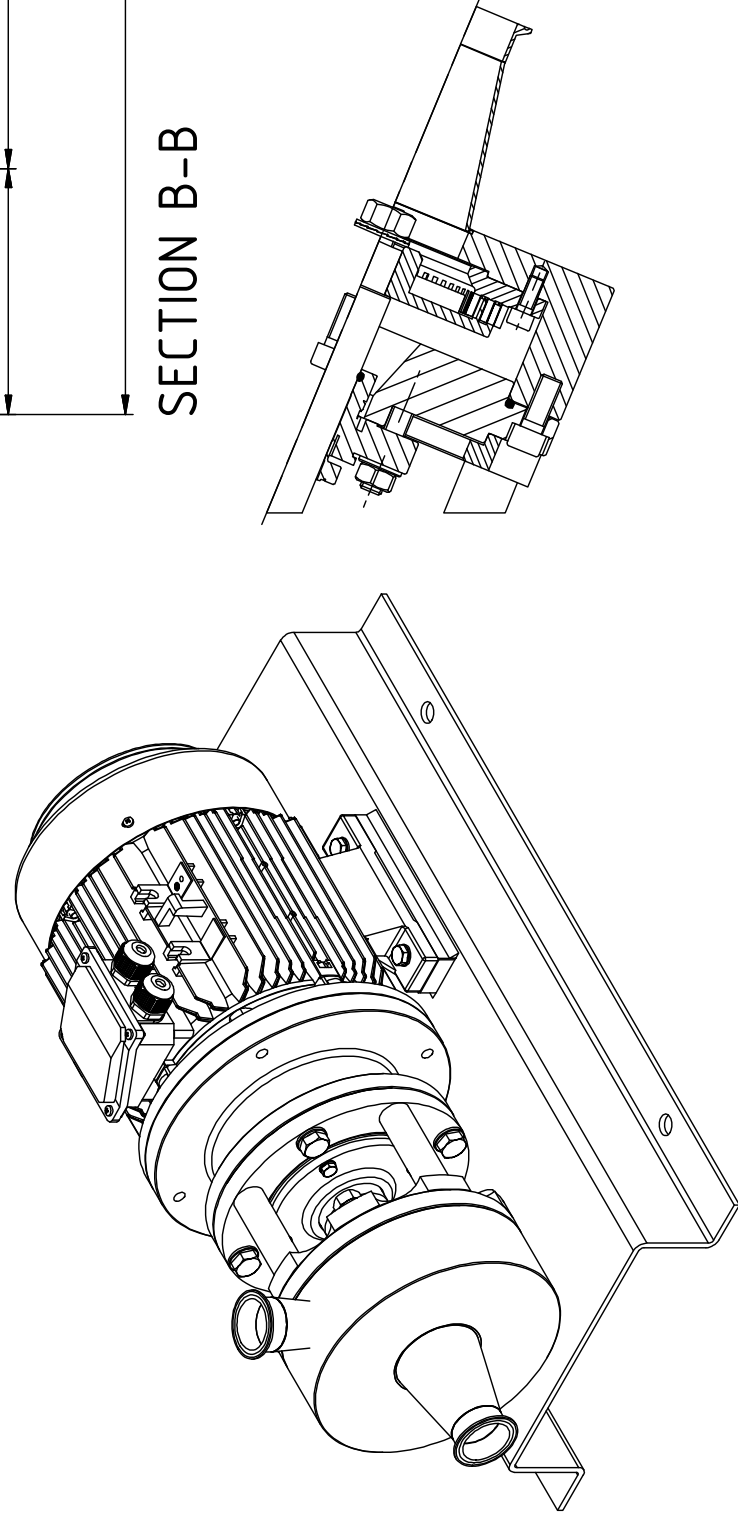
CLAMP DIN32676C 2" - 64 X 50,8

# SECTION A-A

818



# SECTION B-B



Scale 1 : 4

Description

Homogeneizer Ø145 monoblock

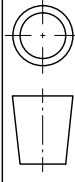
Name

Drawn by: Santi Parera

Date 14/10/2020

Check by: Santi Parera

Date 15/10/2020



Entity name

**SEVEN PUMPS & MIXERS, S.L.**

Drawing code

A3

M.X.O.N.-M 145-3-RE-BE2-X-7,5